

Christie

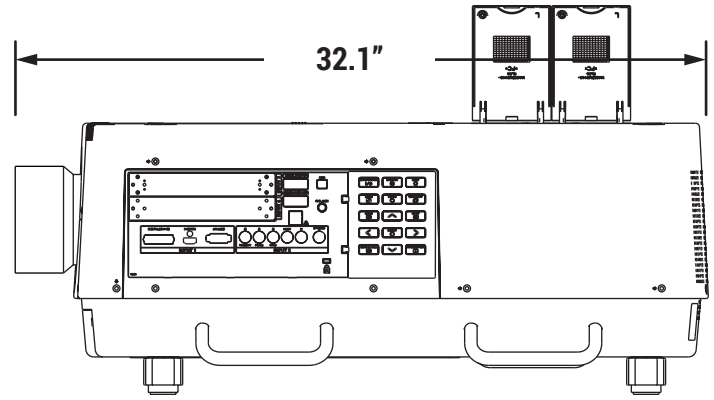
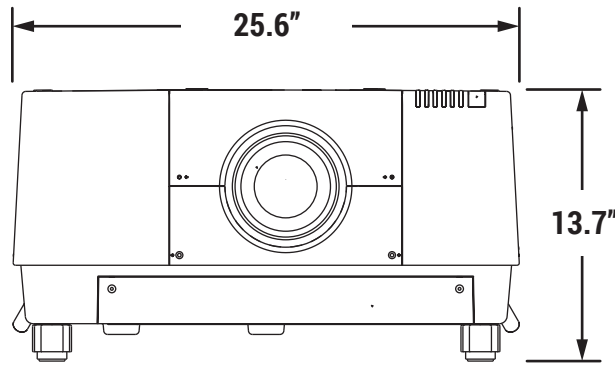
LCD 2K Digital Projector

Model L2K1500

EQUIPMENT SPECS



BACKGROUND IMAGES



Specs

Projector type	3LCD
Resolution	2048 x 1080 2k
Brightness	15,000 ANSI Lumens
Aspect ratio	16:10
Lamps	4 x 380W Ushio NSHA
Lamp lifetime	Normal mode: up to 2000 hrs • Eco mode: up to 3000 hrs
Inputs	2K/WUXGA/UXGA/SXGA+/SXGA/WXGA/XGA/SVGA/VGA, MAC, NTCS, PAL, SECAM, NTSC4.43, PAL-M, PAL-N
Input resolutions	HDTV/DTV formats (480i, 480P, 720P, 1080i, 1080p, 1080psf)
Control	• Serial input: Dsub-9 x 1 • Serial output: Dsub-9 x 1 • R/C jack: mini jack x 1 • RJ-45 LAN x 1
Network connection	10/100 baseT, RJ45 connection
Power requirements	200-240V ±10%
Max. power	200V
Dimensions (LxWxH)	32.1" x 25.6" x 13.7"
Weight	102.5lbs