

Barco

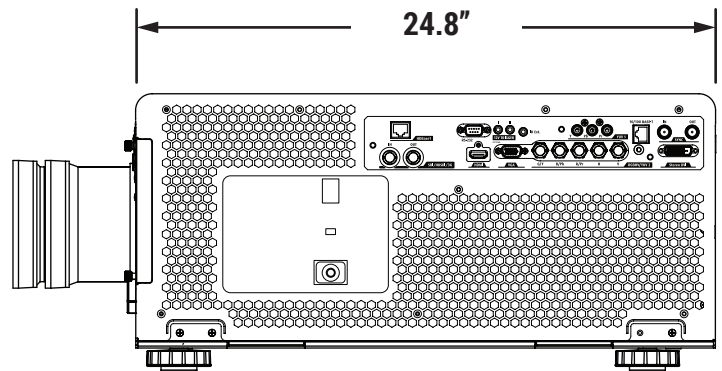
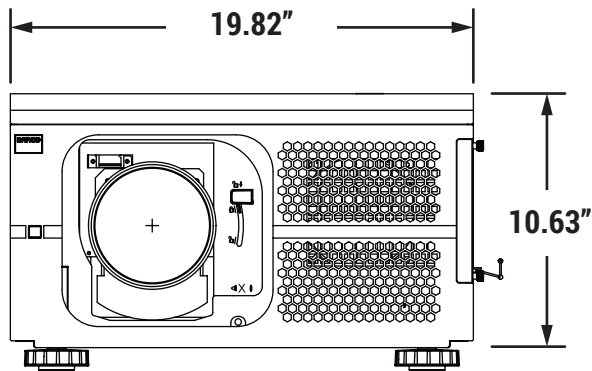
14.5k lumens, 3-chip DLP projector

Model RLM-W14

EQUIPMENT SPECS



BACKGROUND IMAGES



Specs

Projector type	WUXGA 3-chip DLP digital projector
Resolution	1920 x 1080
Brightness	14,500 center lumens
Aspect ratio	16:10
Lamps	2x465W
Lamp lifetime	2,000 hours (typical)
Inputs	HDMI (HDCP 1,3); HDBase-T; 5-BNC (RGBHV, RGBS/RGBsB;YUV); VGA (RGBHV, RGBS/RGBsB;YUV); cinch (RGBs, YUV); HSDI/ 3G HDSDI /SDI; 3D DUAL LINK DVI
Input resolutions	From NTSC up to UXGA (1,600 x 1,200), including HDTV (1,920 x 1,200)
Control	Mini-jack + IR, RS232, 12v trigger
Network connection	10/100 baseT, RJ45 connection
Power requirements	90-240V / 50-60Hz
Max power	1230W (Max) @110VAC 1140W (Max) @ 220VAC
Dimensions (WxLxH)	24.8" x 19.82" x 10.63"
Weight	73.8lbs