

Christie

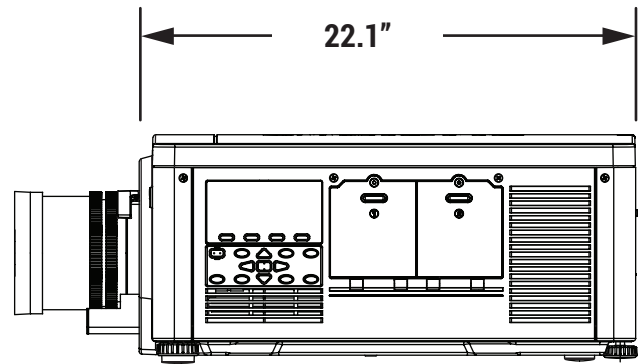
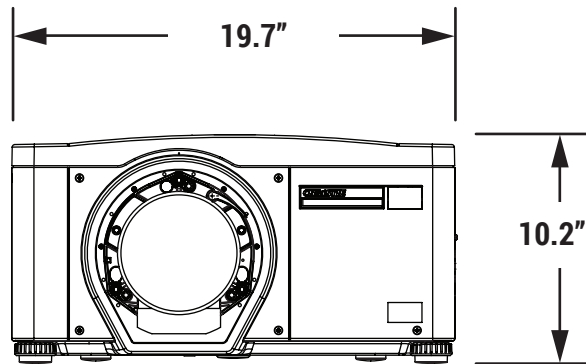
3DLP 1080 HD digital projector

Model HD10K-M

EQUIPMENT SPECS



BACKGROUND IMAGES



Specs

Projector type	3DLP 0.95" DLP
Resolution	1920 x 1080
Brightness	11,000 center lumens
Aspect ratios	Multiple lenses
Lamps	Dual 350W PVIP
Lamp lifetime	1500 hrs
Inputs	Accepts all current HDTV/DTV formats Multi-standard video decoder Horizontal and vertical scaling, all inputs
Input resolutions	HDTV formats VGA through to QXGA (2048 x 1536)
Control	Mini-jack + IR, RS232, 12v trigger
Network connection	RS232 in/out, RS422 in, Ethernet (10/100) USB device, GPIO (RS232 9-pin male connector), Built-in backlit LCD keypad, Remote control (with optional wired XLR connection)
Power requirements	110-240 VAC 50/60 Hz
Max power	1320 W
Dimensions (WxLxH)	19.7" x 22.1" x 10.2"
Weight	87lbs